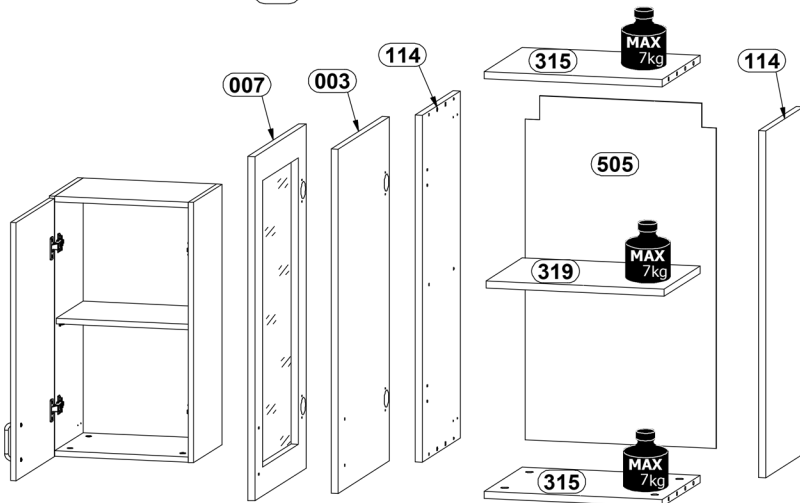
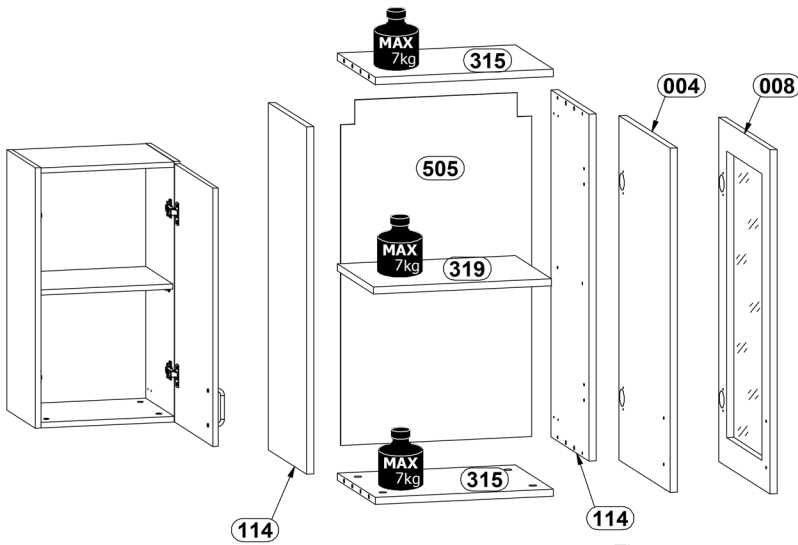
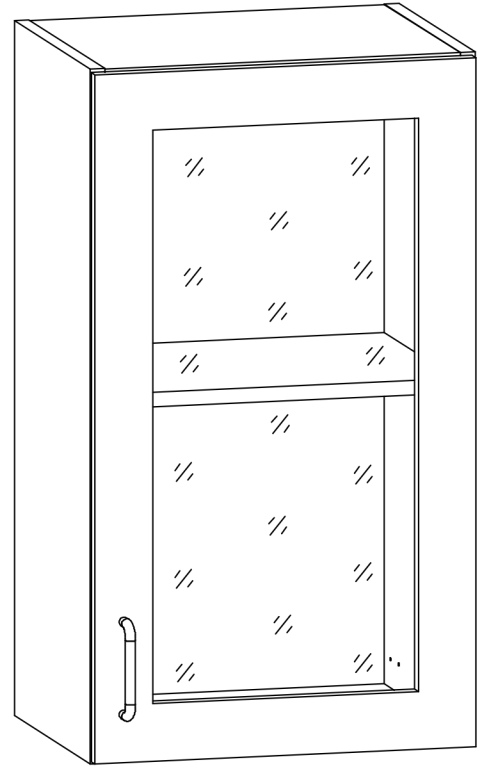
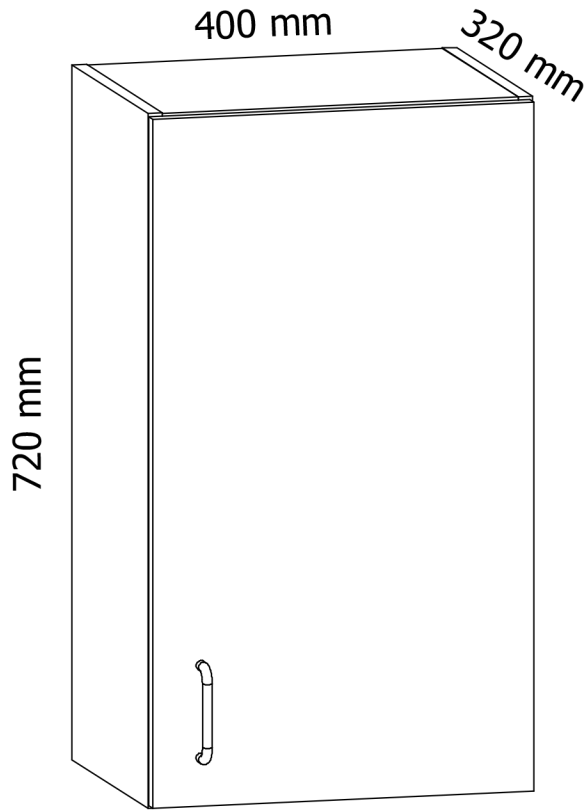
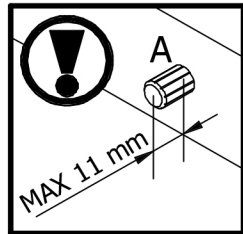
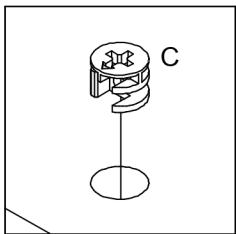
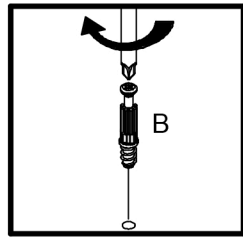
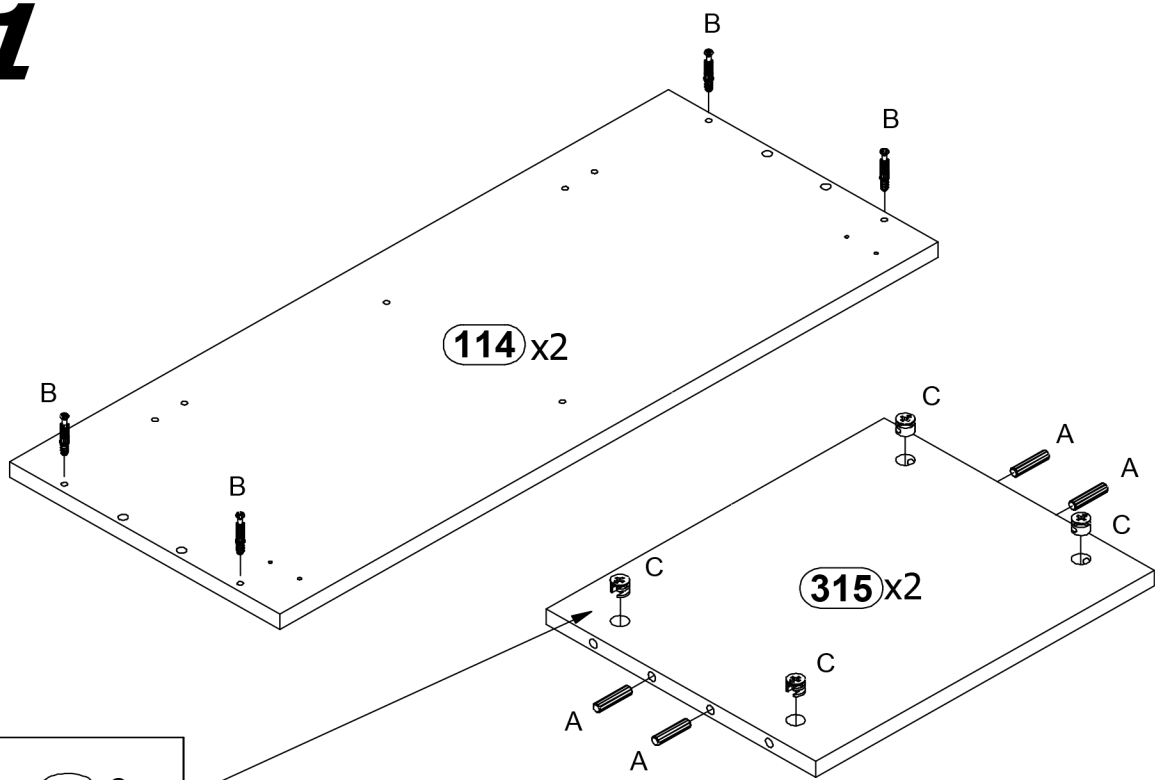


G40 / G40S

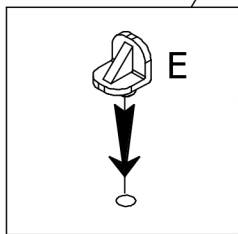
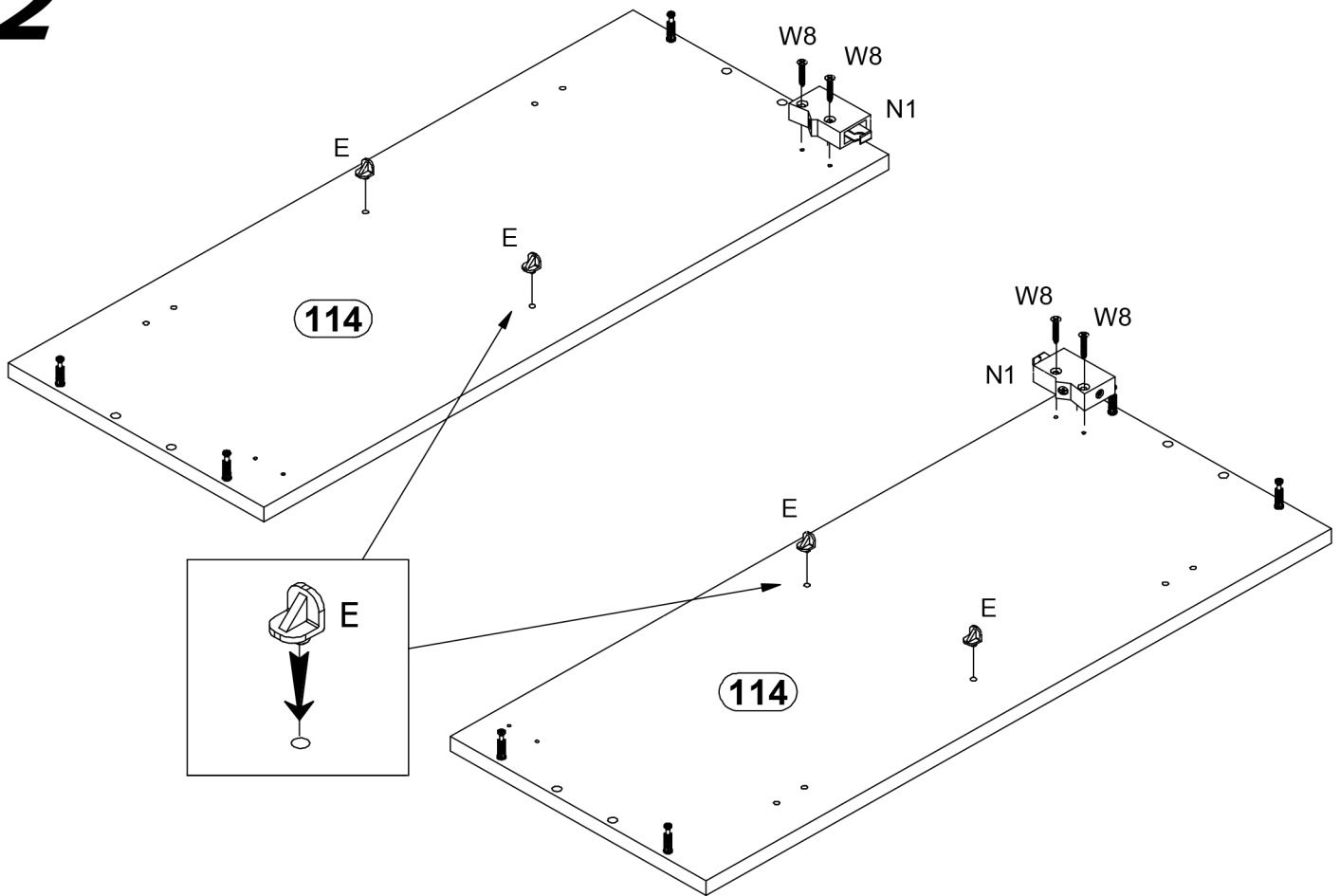


A x8 Ø8x35mm	B x8 Ø15x12mm	C x8 Ø15x12mm	E x4
G x20 	M x1 	N1 x2 	N2 x2
W2 x4 Ø3,5x16	W8 x4 Ø4x30mm	Y x8 Ø18 mm	
Zc x2 Zc-1	 Zc-2		

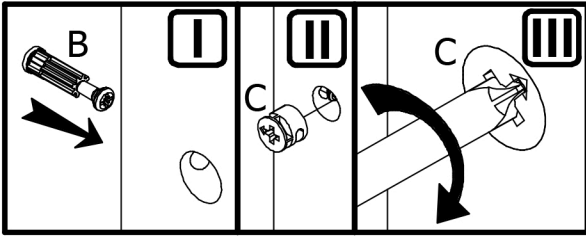
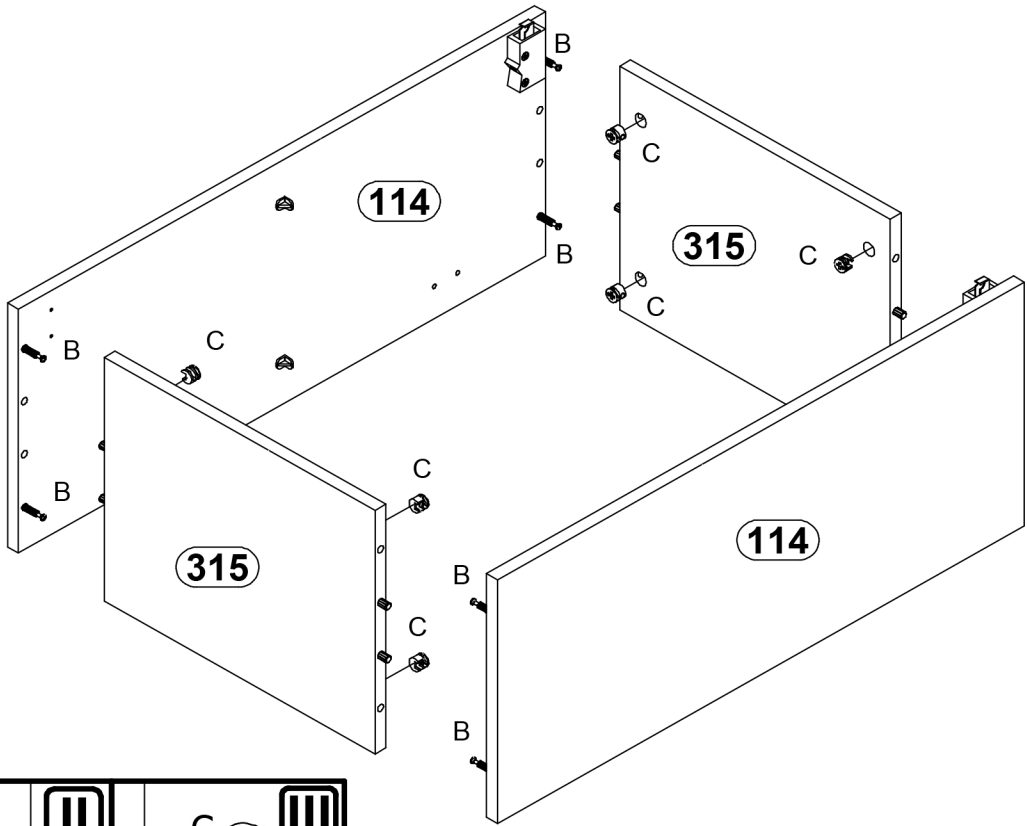
1



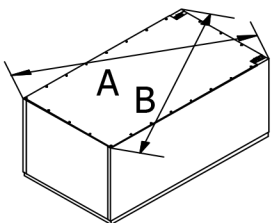
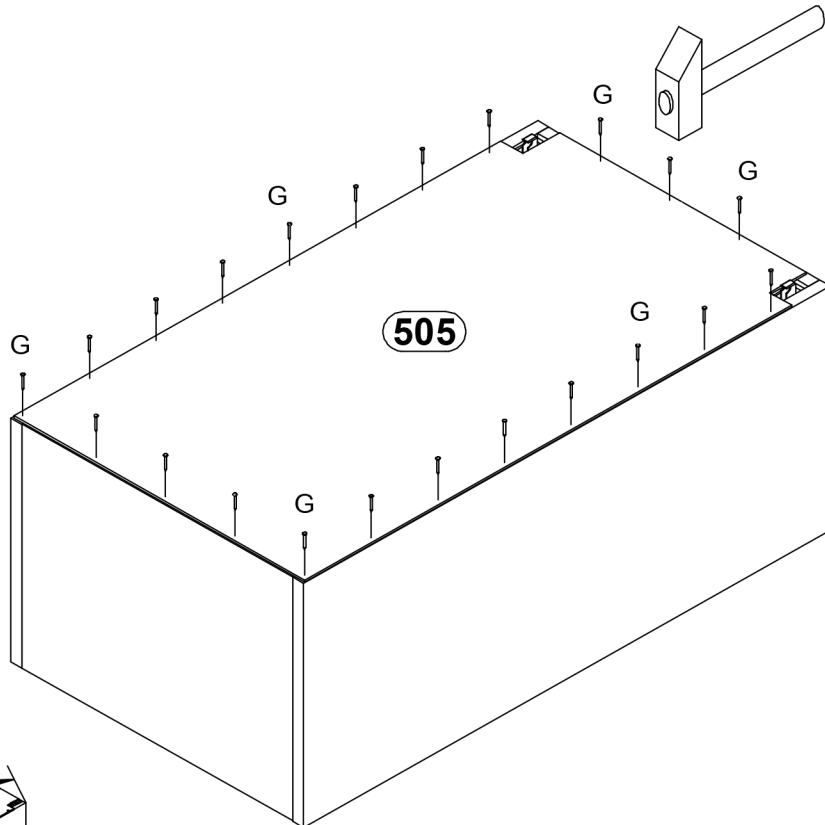
2



3

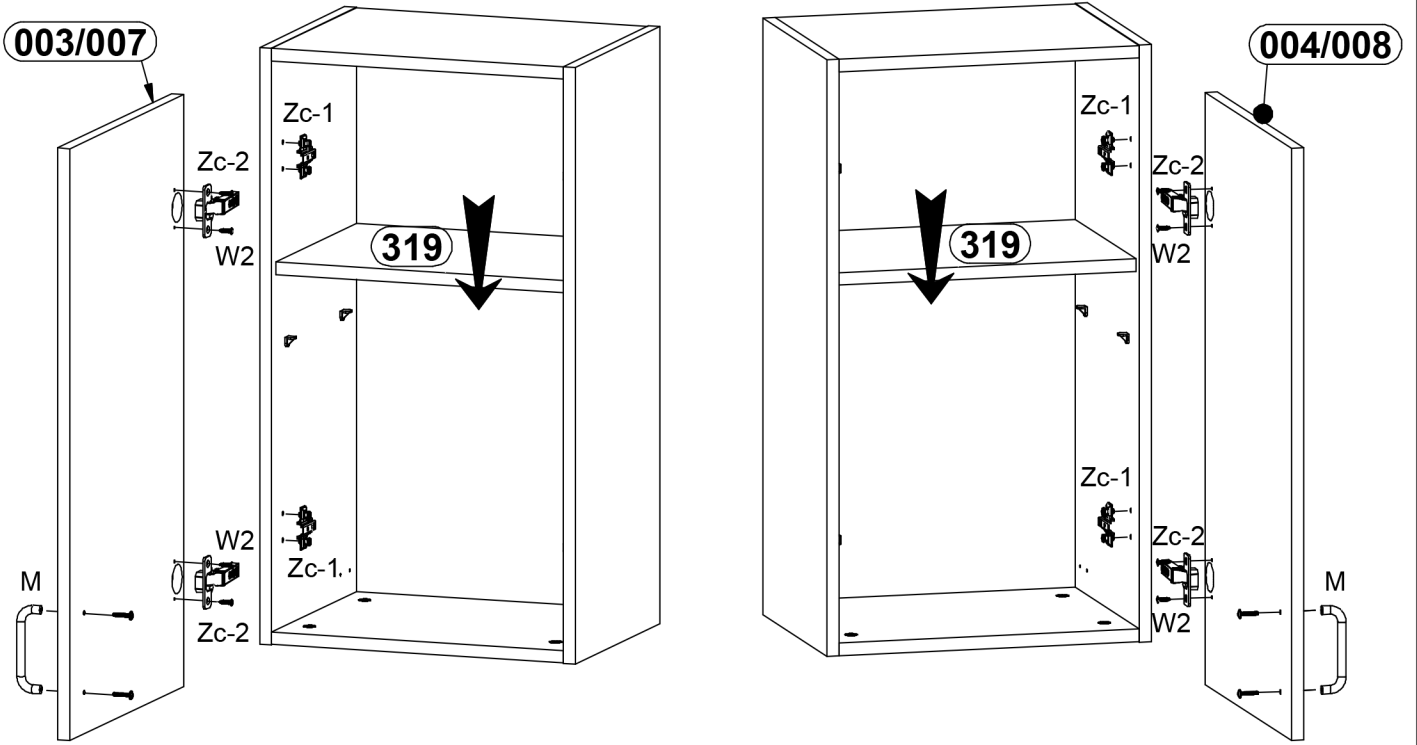


4

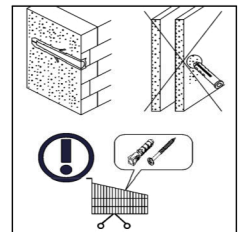
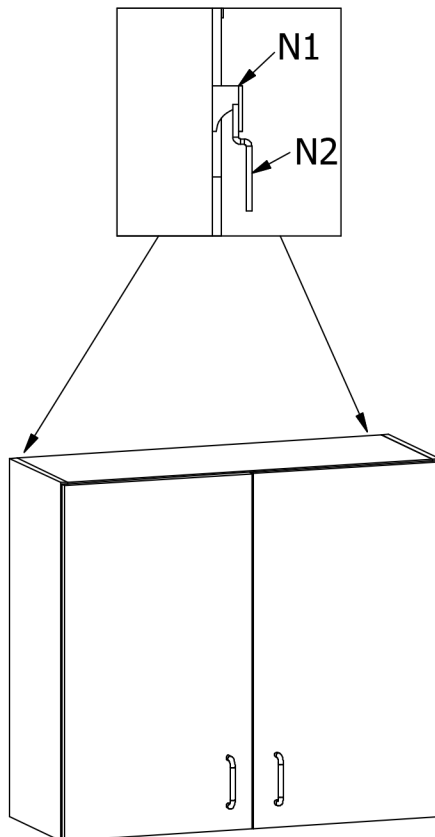


$A=B$

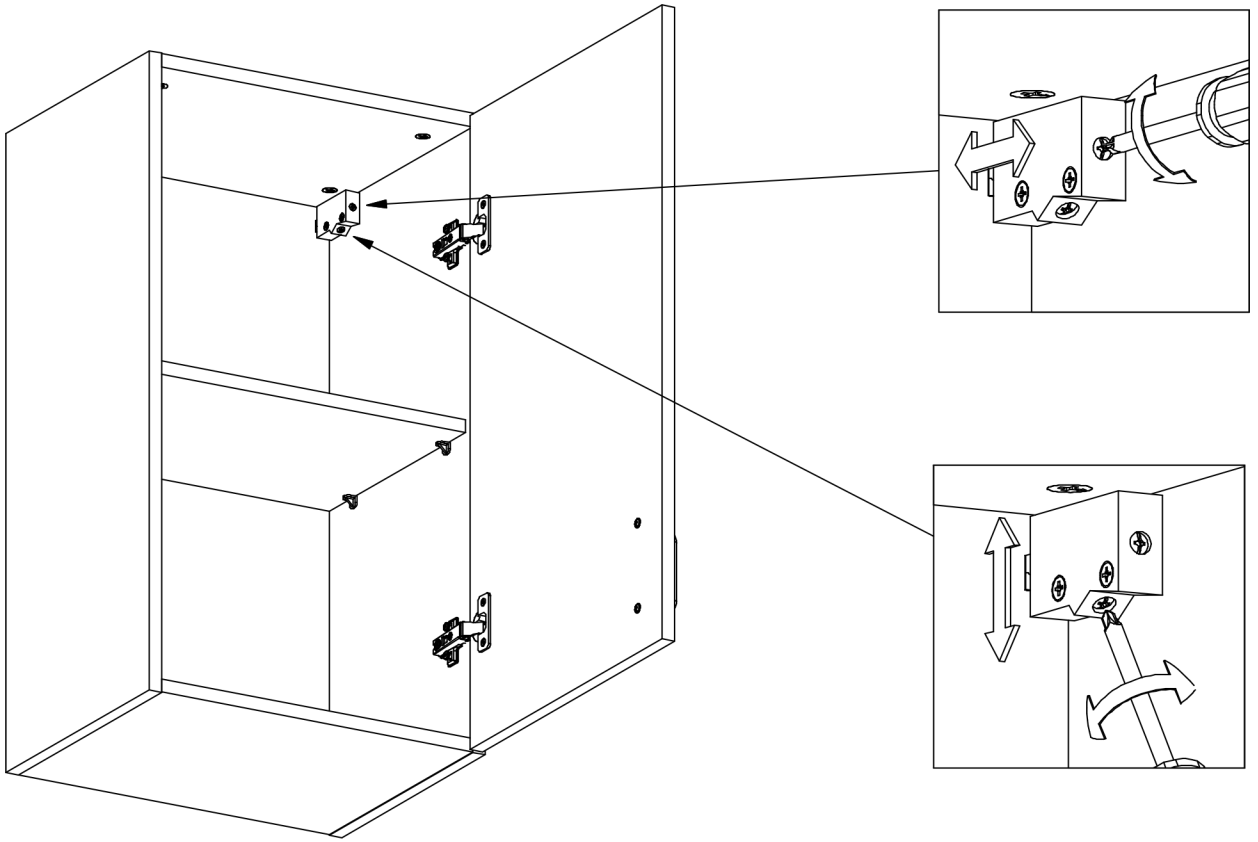
5



6



7



8

